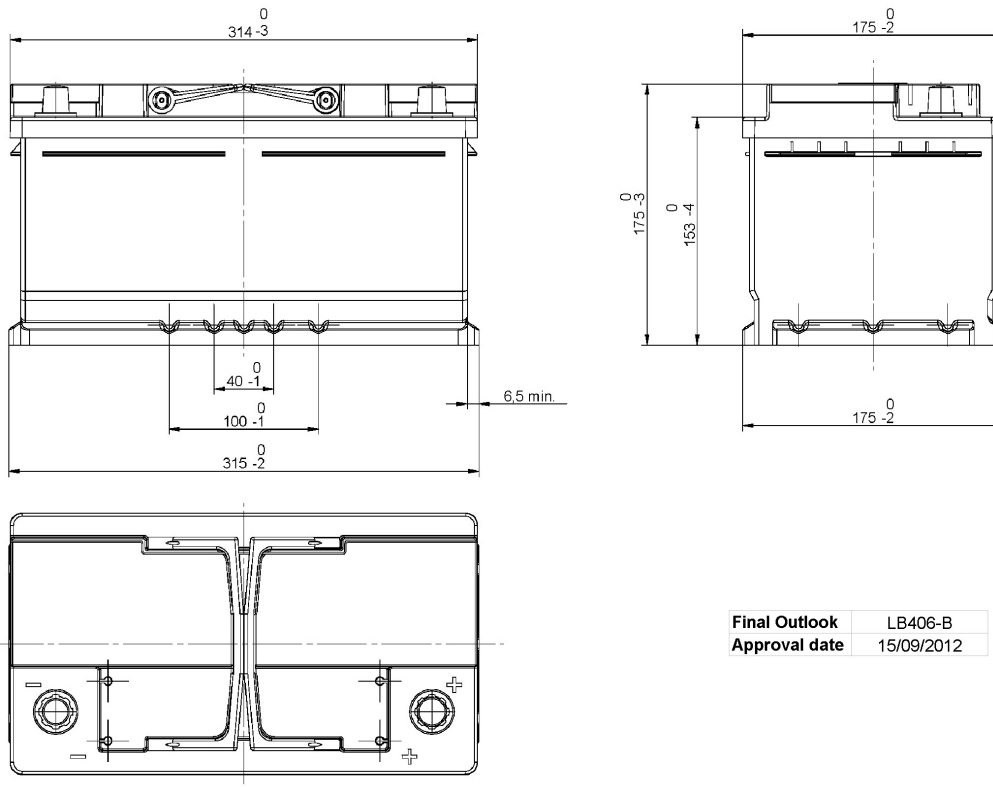


Central Article Code: LB4073C06-B

Created: 05/06/2013

Local Code: EL752

Modified: 10/01/2023



## PERFORMANCES

|               |                       |
|---------------|-----------------------|
| Voltage (V):  | 12 V                  |
| C20 (Ah):     | 75.0      20 h        |
| Cranking (A): | 730      EN           |
| Charge:       | WET                   |
| Technology:   | Vented/Flooded        |
| Grid:         | Ca/Ca                 |
| Vibration:    | Manufactured Specific |
| Endurance:    | EN-EFB Requirement    |

## STD. DIMENSIONS

|                         |       |
|-------------------------|-------|
| Length (mm ± 2):        | 315   |
| Width (mm ± 2):         | 175   |
| Height (mm ± 2):        | 175   |
| Total Weight (kg ± 5%): | 18.60 |

All figures show nominal values. Tolerances are according to EN50342 and applicable European Regulations.

## CONTAINER

|               |                |
|---------------|----------------|
| Type:         | LB4      BLACK |
| Hold Down:    | B13            |
| H.D. Adapter: | No             |

## COVER

|                   |                                 |
|-------------------|---------------------------------|
| Type:             | Double with Integrat      BLACK |
| Polarity:         | ETN 0                           |
| Terminals:        | EN taper post                   |
| Terminal Adapter: | No                              |
| SOCI:             | No                              |
| Ventilation:      | Central                         |
| Filter:           | 1 Filter at Right               |
| Lateral Plug:     | No                              |

## PLUGS

|       |                                      |
|-------|--------------------------------------|
| Type: | 1 x Vent Sealed PSL-OE ha      BLACK |
|-------|--------------------------------------|

## HANDLES

|       |                                  |
|-------|----------------------------------|
| Type: | 2 x PSL OE Integrated      BLACK |
|-------|----------------------------------|

## OTHERS

|                 |    |
|-----------------|----|
| Degassing Tube: | No |
|-----------------|----|