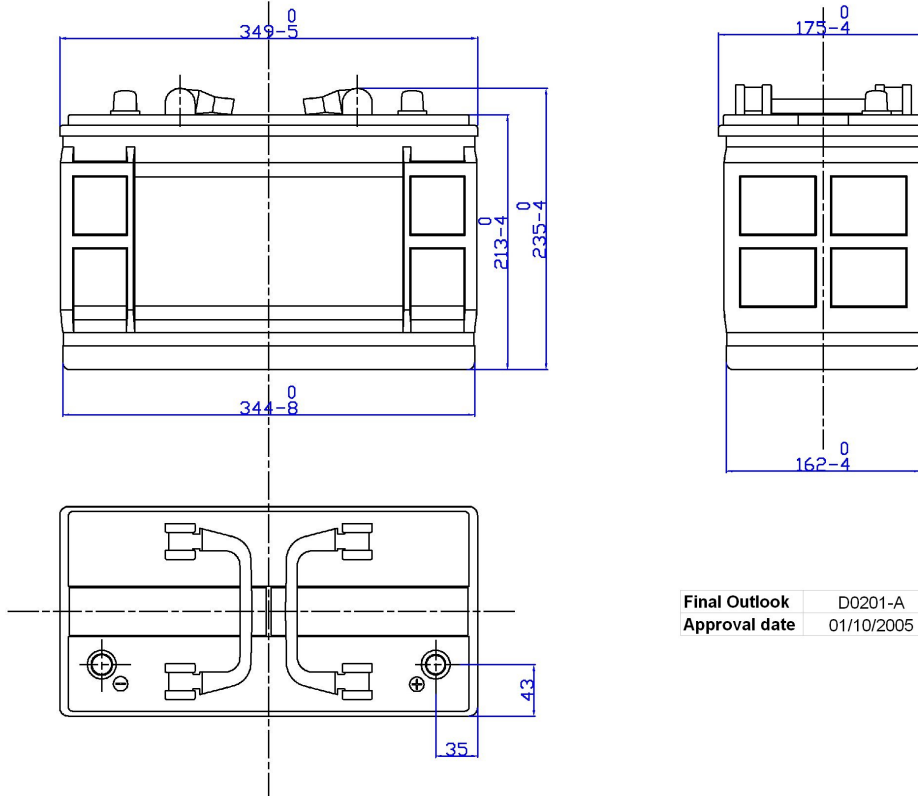


Central Article Code: D02072C01-A
 Local Code: EG1100

Created: 30/10/2018
 Modified: 31/07/2020



PERFORMANCES

Voltage (V):	12 V	
C20 (Ah):	110.0	20 h
Cranking (A):	720	EN
Charge:	WET	
Technology:	Vented/Flooded	
Grid:	Ca/Ca	
Vibration:	V2 (30Hz+/-2Hz/6g/2h)	
Endurance:	E2 (90 cycles@50%)	

STD. DIMENSIONS

Length (mm ± 2):	349
Width (mm ± 2):	175
Height (mm ± 2):	235
Total Weight (kg ± 5%):	25.40

All figures show nominal values. Tolerances are according to EN50342 and applicable European Regulations.

CONTAINER

Type:	D02	BLACK
Hold Down:	B0	
H.D. Adapter:	No	

COVER

Type:	Flat/Press	BLACK
Polarity:	ETN 0	
Terminals:	EN taper post	
Terminal Adapter:	No	
SOCI:	No	
Ventilation:	Independent	
Filter:	No	
Lateral Plug:	No	

PLUGS

Type:	2 x Vent	BLACK
-------	----------	-------

HANDLES

Type:	2 x Rigid	BLACK
-------	-----------	-------

OTHERS

Degassing Tube:	No
-----------------	----

Used for BOSCH