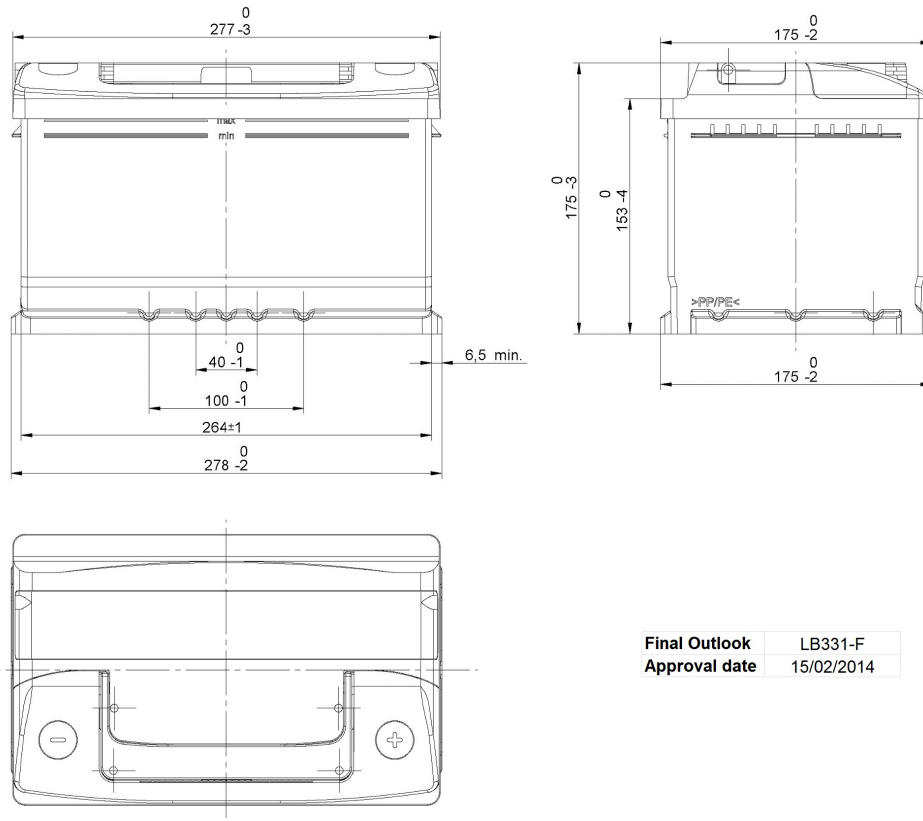


Central Article Code: LB3055C31-F  
 Local Code: EC652

Created: 11/11/2013  
 Modified: 31/07/2020



Final Outlook LB331-F  
 Approval date 15/02/2014

## PERFORMANCES

Voltage (V):	12 V	
C20 (Ah):	65.0	20 h
Cranking (A):	540	EN
Charge:	WET	
Technology:	Vented/Flooded	
Grid:	Ca/Ca	
Vibration:	V1 (30Hz+/-2Hz/3g/2h)	
Endurance:	E1 (180 cycles@25%)	

## STD. DIMENSIONS

Length (mm ± 2):	278
Width (mm ± 2):	175
Height (mm ± 2):	175
Total Weight (kg ± 5%):	14.50

All figures show nominal values. Tolerances are according to EN50342 and applicable European Regulations.

## CONTAINER

Type:	LB3	BLACK
Hold Down:	B13	
H.D. Adapter:	No	

## COVER

Type:	NPR	BLACK
Polarity:	ETN 0	
Terminals:	EN taper post	
Terminal Adapter:	No	
SOCI:	No	
Ventilation:	Central	
Filter:	2 Filters	
Lateral Plug:	Standard shape	Right side BLACK

## PLUGS

Type:	1 x NPR (Manifold)	BLACK
-------	--------------------	-------

## HANDLES

Type:	1 x NPR (Thin)	BLACK
-------	----------------	-------

## OTHERS

Degassing Tube:	No
-----------------	----