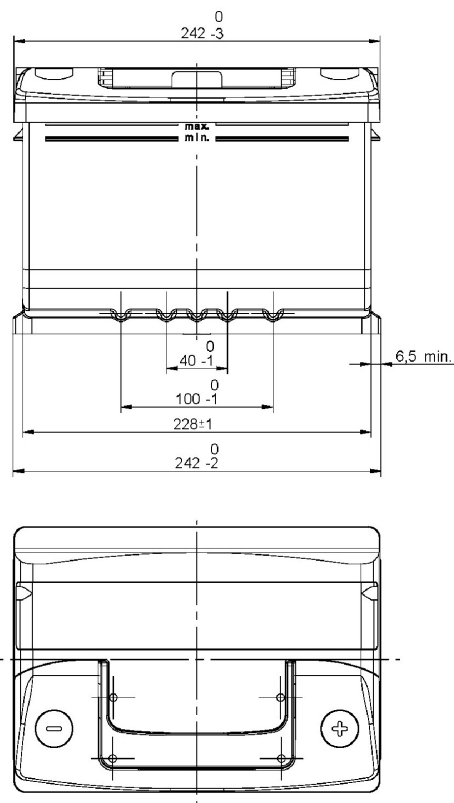


Central Article Code: LB2048C09-F
 Local Code: EC542

Created: 11/11/2013
 Modified: 31/07/2020



Final Outlook	LB209-F
Approval date	01/04/2008

PERFORMANCES

Voltage (V):	12 V
C20 (Ah):	54.0 20 h
Cranking (A):	500 EN
Charge:	WET
Technology:	Vented/Flooded
Grid:	Ca/Ca
Vibration:	V1 (30Hz+/-2Hz/3g/2h)
Endurance:	E1 (180 cycles@25%)

STD. DIMENSIONS

Length (mm ± 2):	242
Width (mm ± 2):	175
Height (mm ± 2):	175
Total Weight (kg ± 5%):	12.90

All figures show nominal values. Tolerances are according to EN50342 and applicable European Regulations.

CONTAINER

Type:	LB2	BLACK
Hold Down:	B13	
H.D. Adapter:	No	

COVER

Type:	NPR	BLACK
Polarity:	ETN 0	
Terminals:	EN taper post	
Terminal Adapter:	No	
SOCI:	No	
Ventilation:	Central	
Filter:	2 Filters	
Lateral Plug:	Standard shape	Right side BLACK

PLUGS

Type:	1 x NPR (Manifold)	BLACK
-------	--------------------	-------

HANDLES

Type:	1 x NPR (Thin)	BLACK
-------	----------------	-------

OTHERS

Degassing Tube:	No
-----------------	----